

# IF IT WERE ANY EASIER, IT WOULD WINTERIZE ITSELF.



Eliminate difficult or missed service calls with the Woodford Model 32 lawn sprinkler supply valve with outside access.

**The Woodford Model 32** provides outside access to the water supply for easy start-up, winterizing and service. Key-operated with a removable drain plug, it's also perfect for ponds and other outside water needs. And since everything is right there on the unit, there's no need for the serviceman to enter the basement or crawl space. Recommend the Model 32 on your next job. It blows other sprinkler supply valves out of the water.

- Easily removable drain plug allows servicing at any time
- Freezeless\* security, key-operated for tamper-resistant protection
- Interfaces with any reduced pressure backflow preventer, double check or pressure vacuum breaker
- 3/4" and 1" inlets/outlets offered
- Can be retrofitted to existing homes and adapted to varying wall thicknesses

**It doesn't get any easier than Woodford. Contact your wholesaler or local rep today.**

\*When properly winterized.



**The choice of professionals.**

## **Woodford Manufacturing Company**


2121 Waynoka Road, Colorado Springs, Colorado 80915 • Phone: (800) 621-6032 • Fax: (800) 765-4115  
To view our complete product line visit: [www.woodfordmfg.com](http://www.woodfordmfg.com) or email: [sales@woodfordmfg.com](mailto:sales@woodfordmfg.com)



# MODEL 32

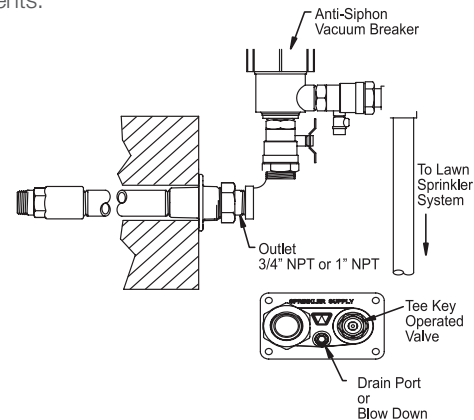
## lawn sprinkler supply valve

### FEATURES:

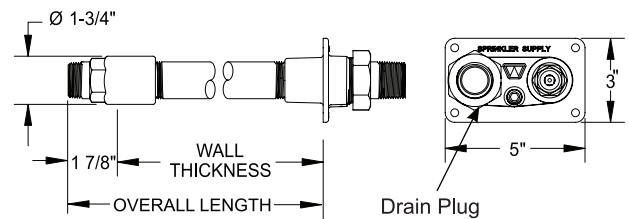
- IAPMO Listed 
- Inlet and pipe casing fits through a 1-7/8" hole
- Head casting fits flush against wall
- Allows for convenient scheduling by servicing contractors for start-up, servicing, or winterization of lawn sprinkler system without entering the home
- Key operated for tamper resistant protection
- Rough brass exterior finish
- Hardened stainless steel valve stem
- Solid brass operating rod
- 1" Galvanized steel pipe casing
- Red brass castings
- 2 Inlet options:
  - P Inlet: Combination 3/4" FPT & 1" MPT
  - C Inlet: 3/4" copper sweat valve body
- 3/4" and 1" NPT union outlet connections provided
- 1/4" NPT Socket Head manual drain plug
- Max Pressure: 125 p.s.i.
- Max Temperature: 120° F

### TYPICAL INSTALLATION

Installer: Please refer to local plumbing code for area installation requirements.



### ROUGH-IN DIMENSIONS

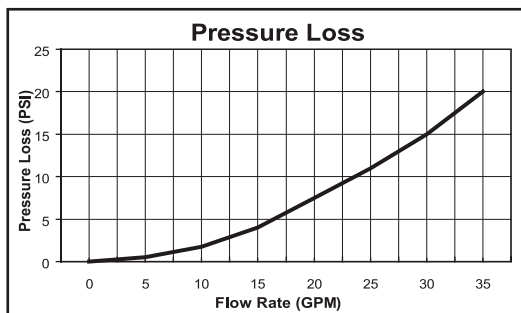
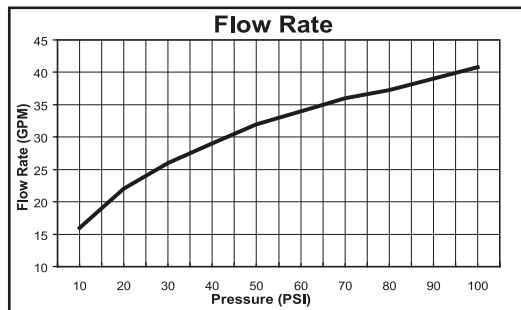


P Inlet: Combination 3/4" FPT & 1" MPT VB  
 C Inlet: 3/4" Copper Sweat VB  
 Outlet: 3/4" NPT or 1" NPT

*Installation Requires Downward Pitch For Draining.*

Wall Thickness	Overall Length	Shipping Wt. (Lbs)
4	5 7/8"	4.5
6	7 7/8"	4.8
8	9 7/8"	5.2
10	11 7/8"	5.5
12	13 7/8"	5.9
14	15 7/8"	6.2
16	17 7/8"	6.6
18	19 7/8"	6.9
20	21 7/8"	7.3
22	23 7/8"	7.6
24	25 7/8"	8.0

### FLOW RATE & PRESSURE LOSS



For more information contact

**Woodford Manufacturing Company**

2121 Waynoka Road, Colorado Springs, Colorado 80915 • Phone: (800) 621-6032 • Fax: (800) 765-4115

To view our complete product line visit: [www.woodfordmfg.com](http://www.woodfordmfg.com) or email: [sales@woodfordmfg.com](mailto:sales@woodfordmfg.com)

A Division Of WCM Industries, Inc.

**WOODFORD**

